



INSTALLATION INSTRUCTIONS

Accessory

**AUDIO SYSTEM &
2 SPEAKERS (FR)
P/N 0SS22-HL4-A00**

Application

**SXS1000M3P/M3D/M3LS/
M5P/M5D/M5LS**

Publication No.

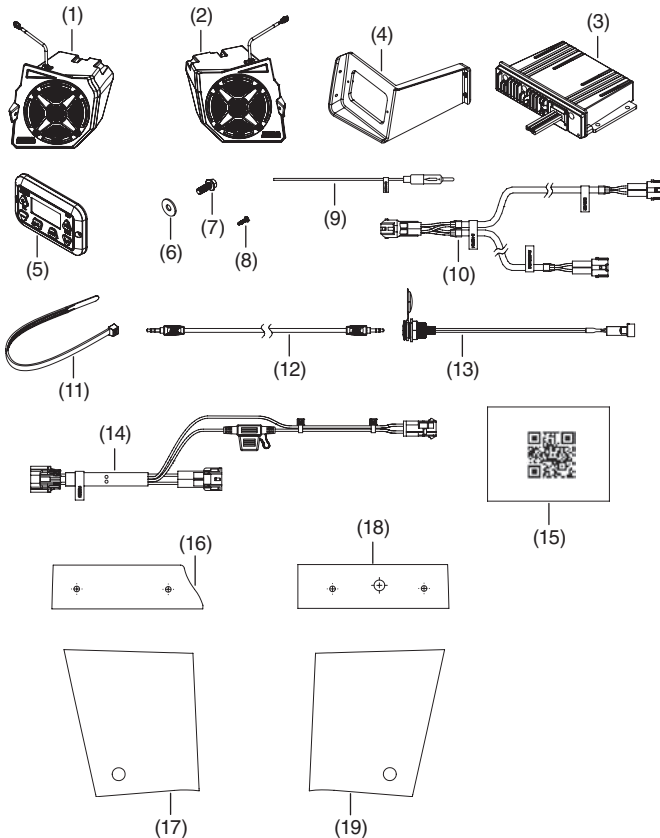
MII 17762

Issue Date

March 2022

Honda Dealer: Please give a copy of these instructions to your customer.

PARTS LIST



No.	Description	Qty
(1)	Driver side, front speaker pods, loaded 6.5" SSV speakers	1
(2)	Passenger, side, front speaker pods, loaded 6.5" SSV speakers	1
(3)	MRB3 black box	1
(4)	Mounting panel, MRB3	1
(5)	MRB3 controller	1
(6)	M6 flat washer	6
(7)	6 mm hex head bolt	6
(8)	#4-20 thread rolling screws	6
(9)	Universal FM antenna cable (55")	1
(10)	Harness, 4-pin speaker y-cable, 1x female receptacle and 2x male plugs, 5-seat	1
(11)	Zip ties, 10 in	10
(12)	Harness, 3.5 mm mini-jack male to 3.5 mm mini-jack male cable (36")	1

No.	Description	Qty
(13)	Harness, aux input, 3.5	1
(14)	MRB3 power harness	1
(15)	Honda URL papers	1
(16)	Drill template: driver kickpod mounting (back)	1
(17)	Drill template: driver kickpod cable pass through hole	1
(18)	Drill template: passenger kickpod mounting (back)	1
(19)	Drill template: passenger kickpod cable pass through hole	1

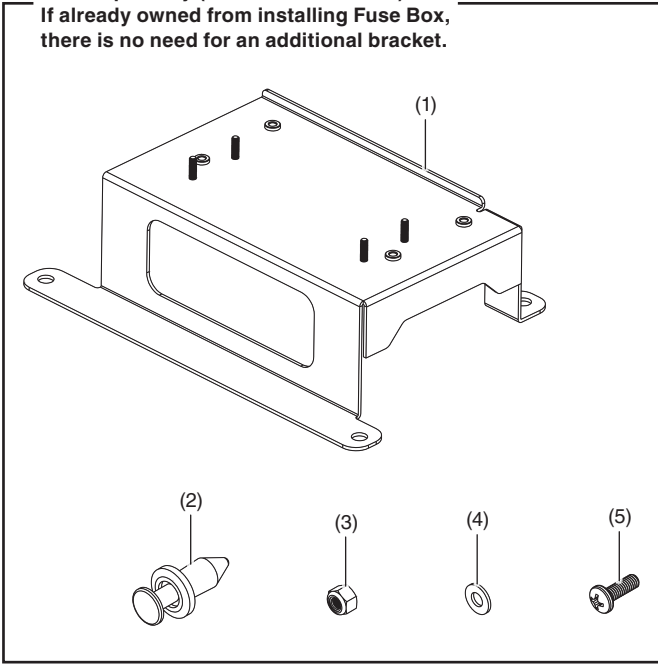
TOOLS AND SUPPLIES REQUIRED

- Drill
- Drill bit (1/4 in)
- Drill bit (5/8 in)
- Drill bit (7/8 in)
- Drill bit (5/64 in)
- Drill bit (13/16 in)
- Torque wrench or driver
- Socket (8 mm)
- Scribe tool
- Trim clip removal tool
- Tape

FB Audio Bracket

Sold separately (P/N 0SS27-HL4-A00)

If already owned from installing Fuse Box, there is no need for an additional bracket.



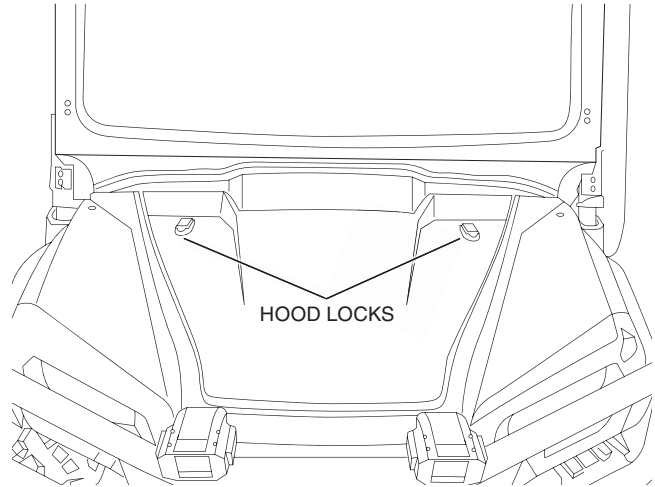
No.	Description	Qty
(1)	Mounting plate, fuse box	1
(2)	Trim Clip, 8 mm	4
(3)	M4 x 0.7, locking hex nut	4
(4)	M4 flat washer	8
(5)	M4 x 12 mm phillips pan-head screw	4

TORQUE CHART

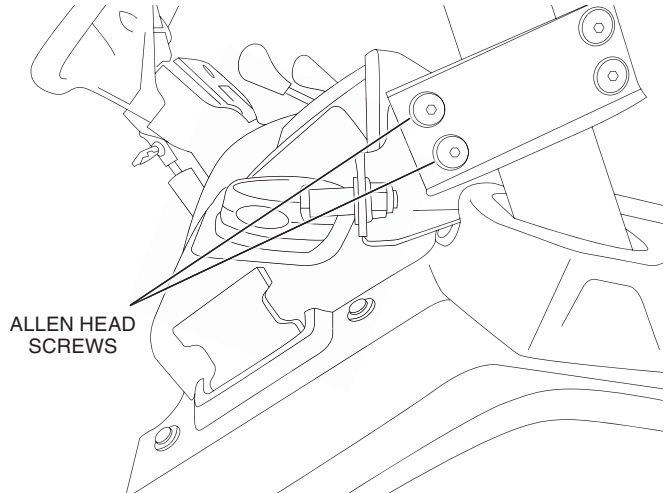
Item	N-m	kgf-m	lbf-ft
6 mm hex head bolt	7.8	0.8	5.8
#2 drive phillips screw	4.9	0.497	3.6
M4 screw	2.7	0.276	2.0

INSTALLATION

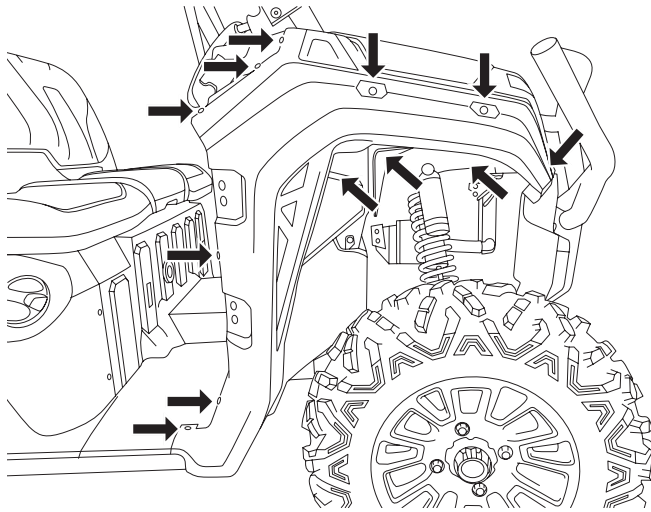
1. Remove the hood by twisting the two hood locks and pulling the hood forward and off the vehicle.



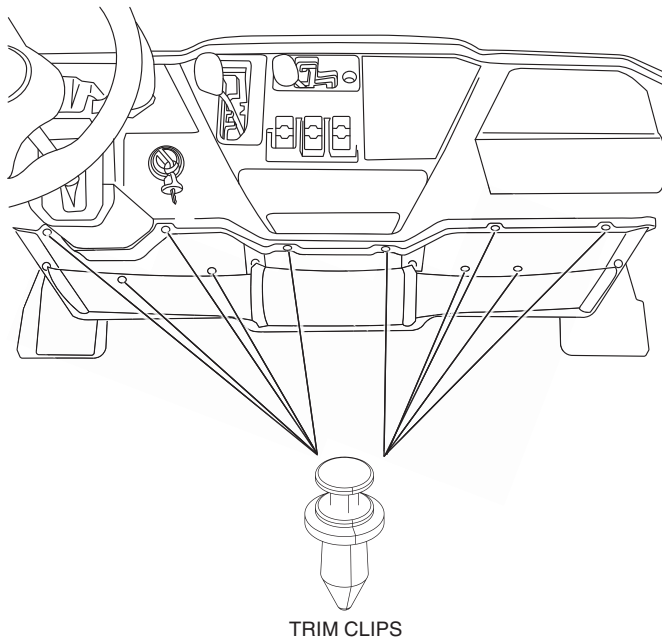
2. Loosen the two (2) Allen head screws located on the passenger side front door latch to gain access to the trim clip. Repeat the same step on the driver side of the vehicle.



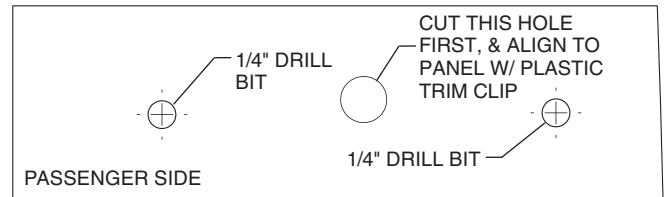
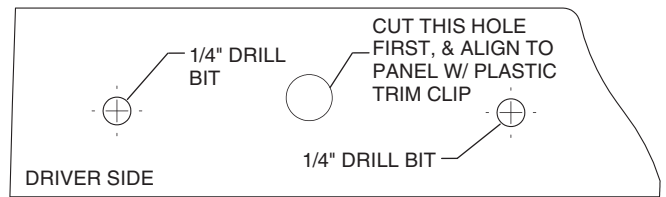
- Remove twelve (12) trim clips from passenger side front fender and remove. Repeat the same step on driver side of the vehicle.



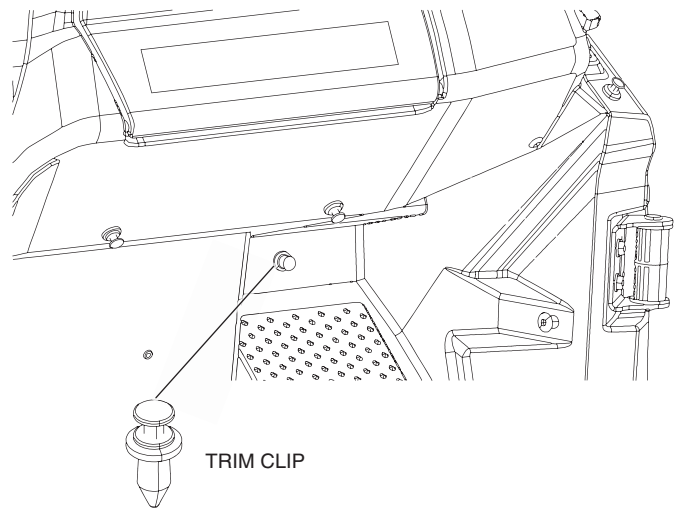
- If equipped, remove ten (10) trim clips attaching the under-dash storage unit, set unit aside.



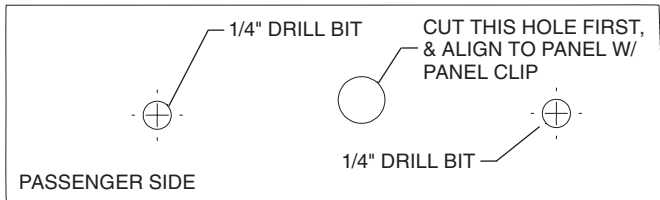
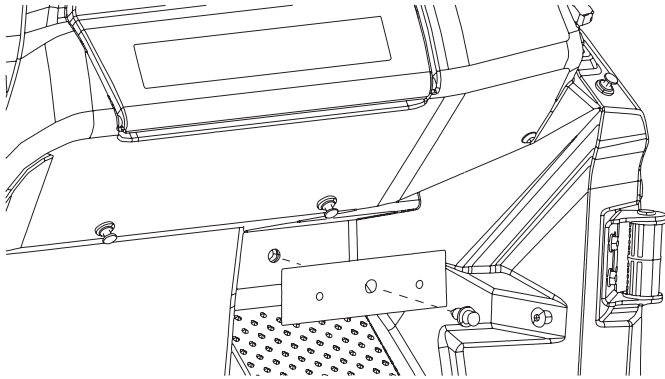
- Cut the supplied kick pod drill templates to size. Then start your installation on the passenger side.



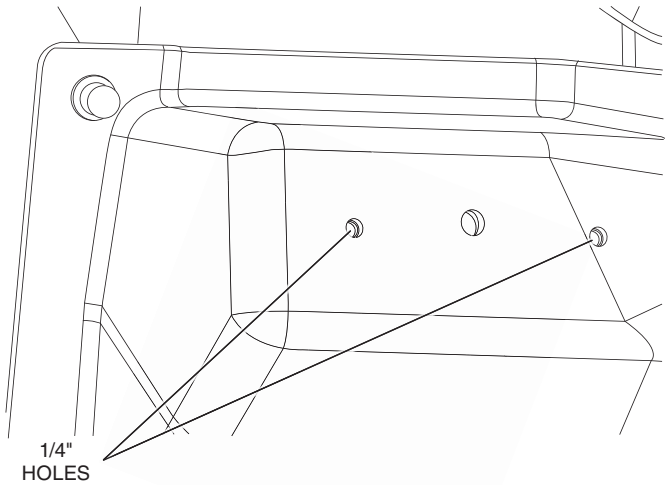
- Remove the plastic trim clip located at the passenger kick panel that secures the floorboard to the stick guard. Set aside trim clip since it will be re-installed later in Step 17.



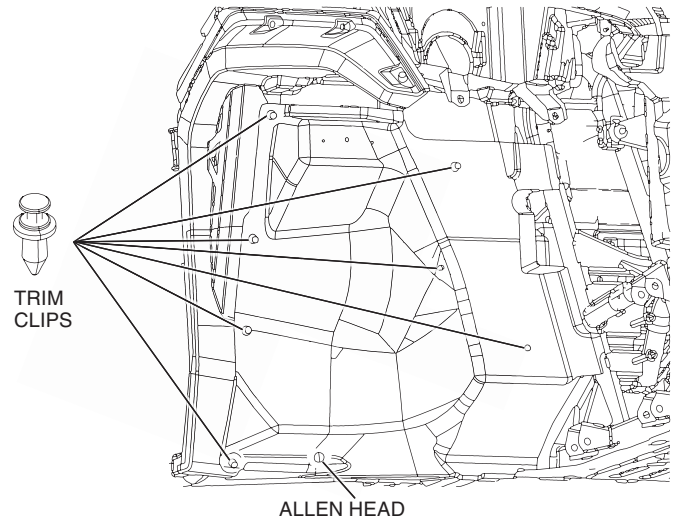
7. Take the passenger kick pod drill template and rest it flatly on the plastic surface. Use the previously removed trim clip to center your template to vehicle. Once the template has been centered use a scribe tool to mark the two (2) holes from the inside of the vehicle at each kick panel speaker location. Drill through both kick panel and stick guard at the same time using a 1/4" drill bit.



8. Image shows holes drilled all the way through both panels.

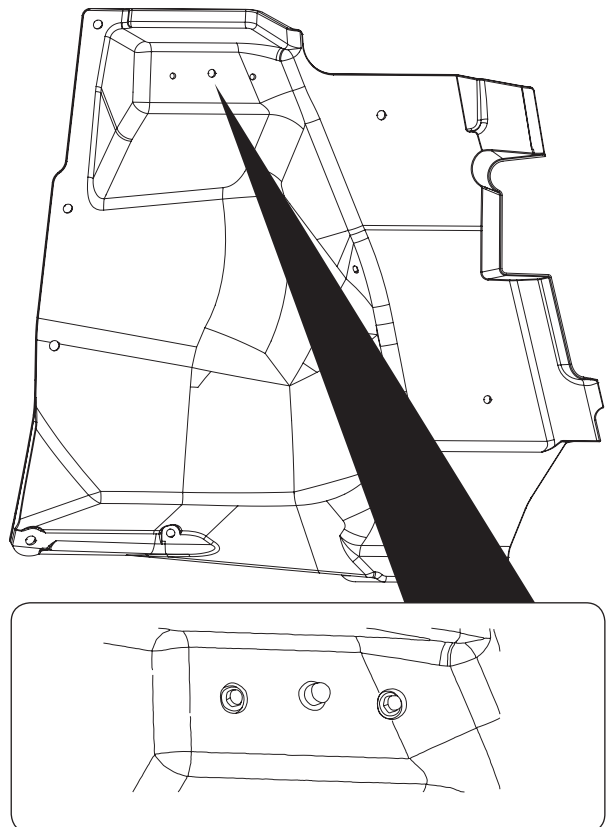


9. After holes have been drilled through both panels proceed with uninstalling the stick guard from the vehicle by removing the seven (7) trim clips and single (1) Allen head screw.

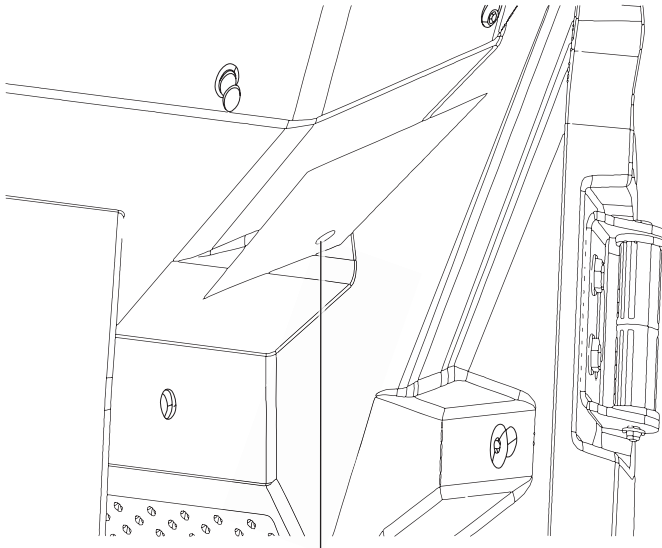


10. With the stick guard removed, you will now enlarge the two (2) 1/4" pilot holes from Step 8 to 7/8" using a drill bit. Once the holes have been enlarged set the stick guard aside to reinstall at a later step.

NOTE: The enlarged holes on the stick guard will ensure proper clearance of the speaker pod bolt heads upon reinstallation as shown.

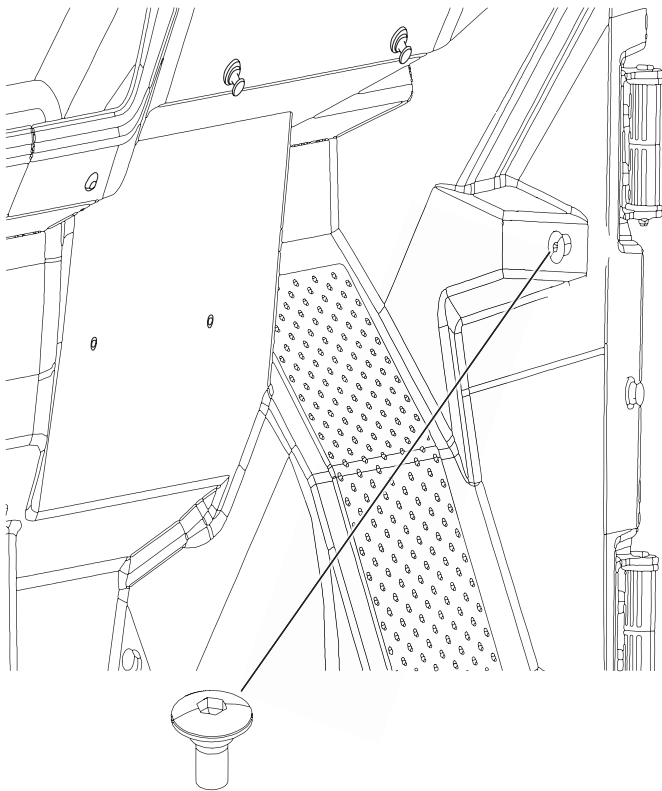


11. Use the passenger side speaker cable drill template to mark the center of the 5/8" hole required to drill through.

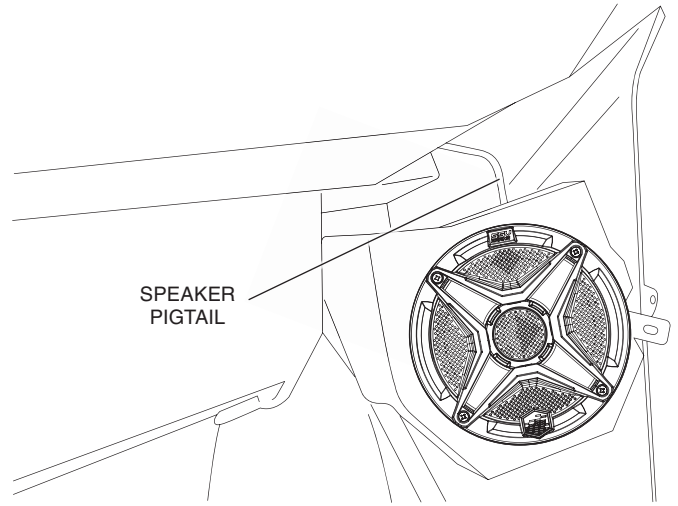


DRILL TEMPLATE: KICKPOD CABLE
PASS THROUGH HOLE

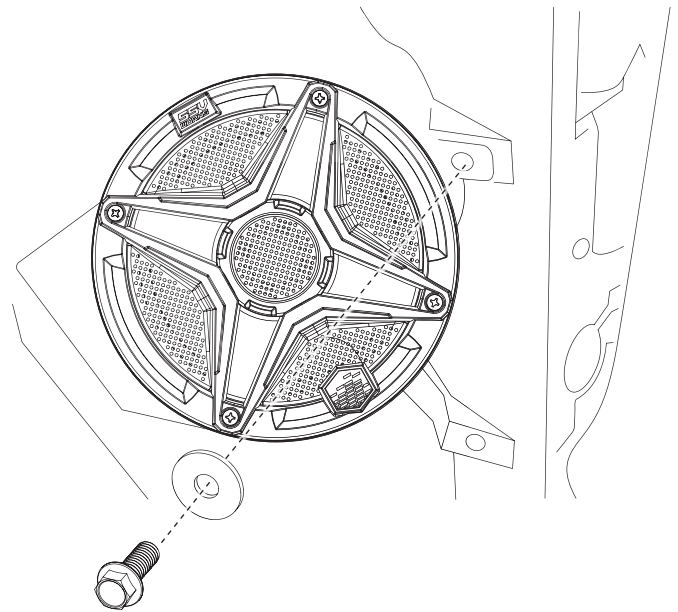
12. Remove factory frame 5 mm Allen head screw from the kick panel just in front of the dash.



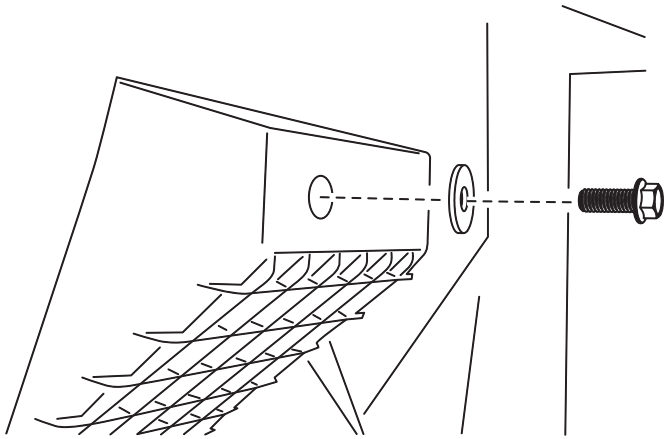
13. Place the speaker pod in its designated location by first sliding the speaker pigtail through the previously drilled 5/8" hole into the under-hood compartment.



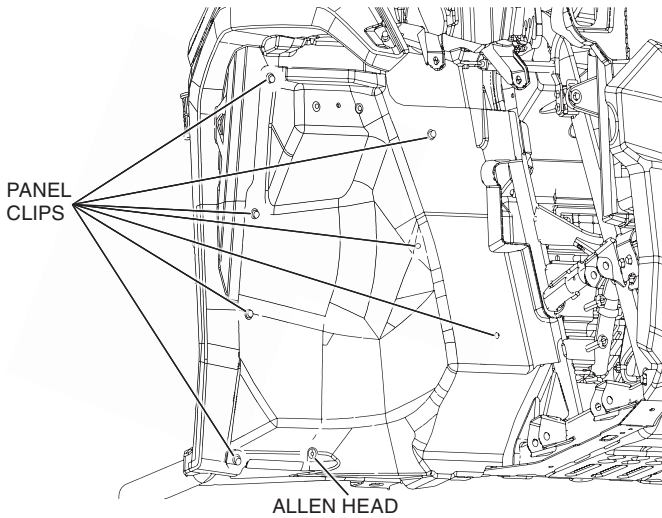
14. Place the passenger speaker pod in the kick panel and loosely tighten it by installing the supplied 6 mm Hex Head Bolt and washer through the bracket.



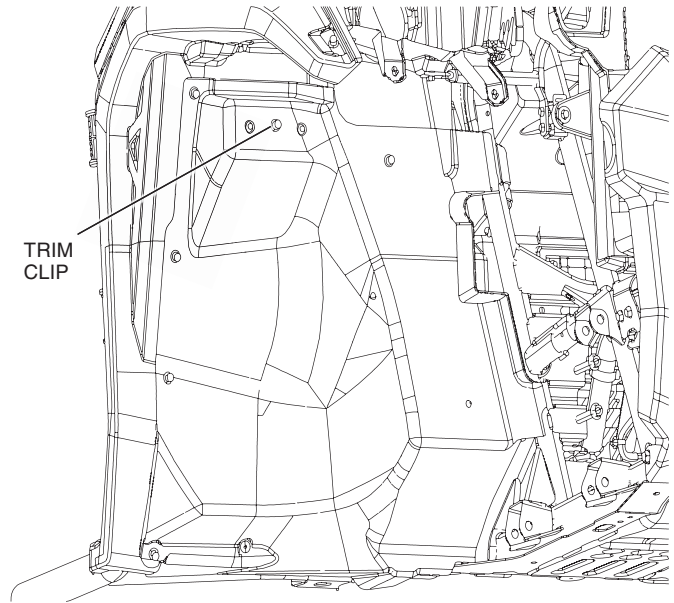
- Use the provided two (2) 6 mm Hex Head Bolts and washers to loosely tighten the pod in place through the drilled holes at the rear of the pod. Once all bolts have been loosely installed, tighten down to the recommended torque of 7.8 Nm.



- Reinstall the stick guard using the seven (7) trim clips and single (1) Allen head bolt previously removed in Step 9.



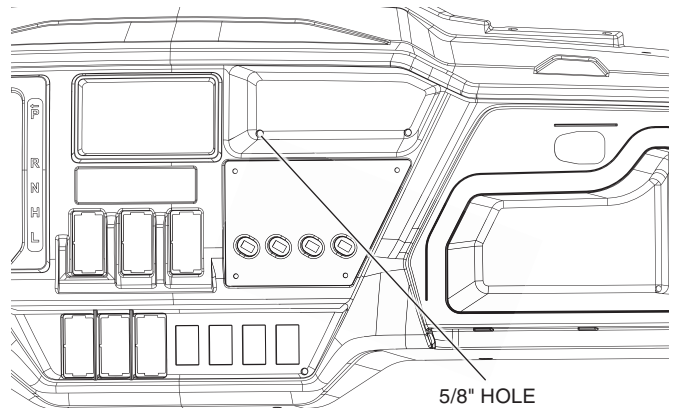
- Reinstall the trim clip removed from Step 6 in the location shown.



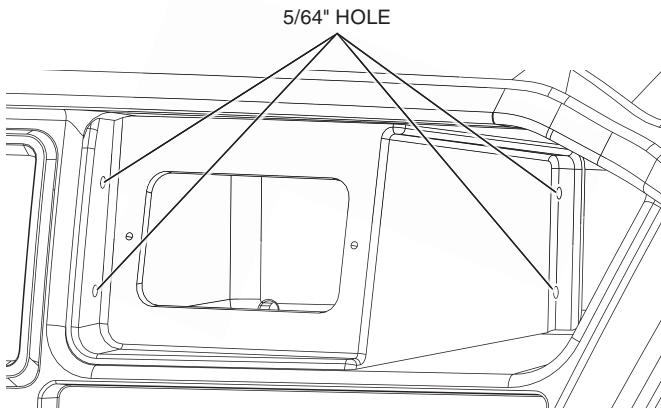
- Repeat Steps 6 through 17 for the driver side speaker pod.

- Drill a larger 5/8" hole in the back of the pocket of the dash.

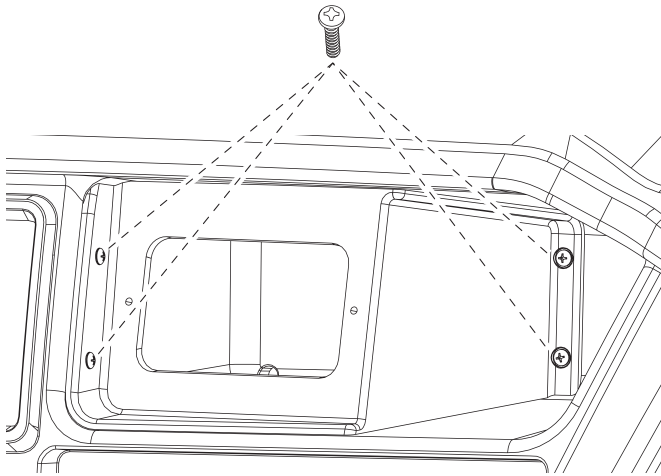
⚠ WARNING: Make sure to check the area behind the pocket before drilling to ensure damage to other components does not occur.



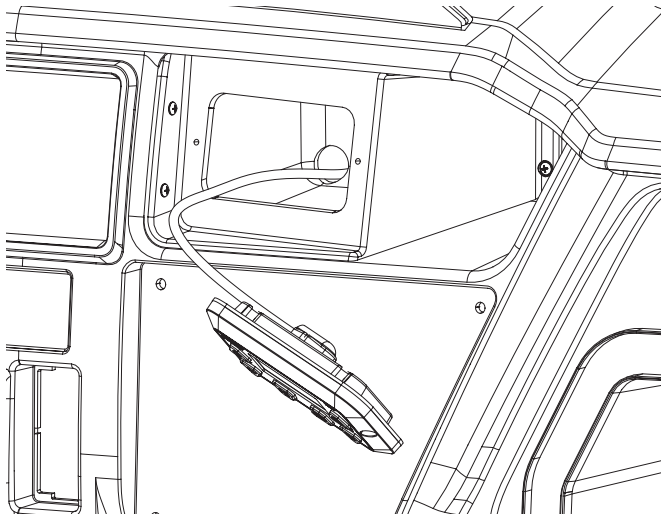
20. Using the Mounting Panel mark the four (4) drill points on the driver's side in the upper dash pocket using a 5/64" drill bit.



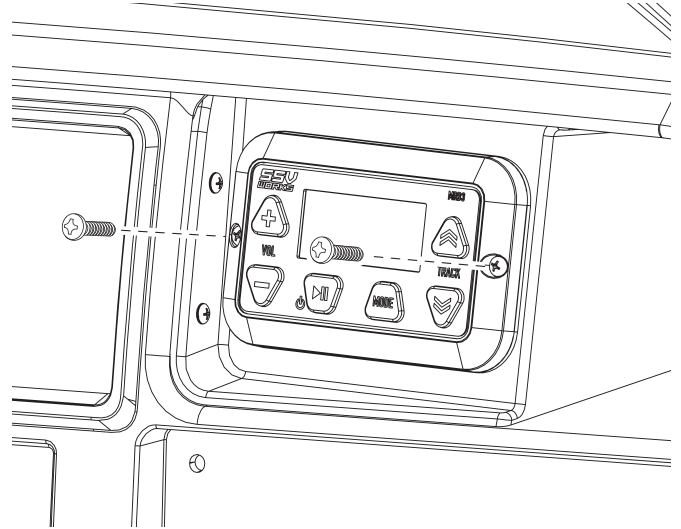
21. Secure the Mounting Panel with the four (4) supplied #4-20 screws.



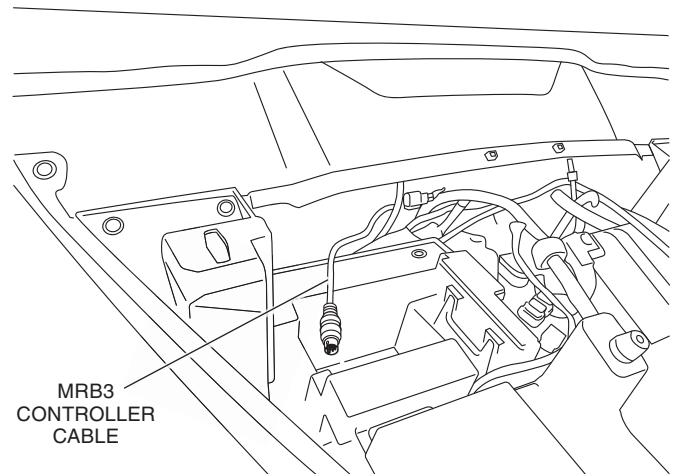
22. Run the MRB3 controller cable through the 5/8" hole previously drilled behind the dash kit and into the underhood.



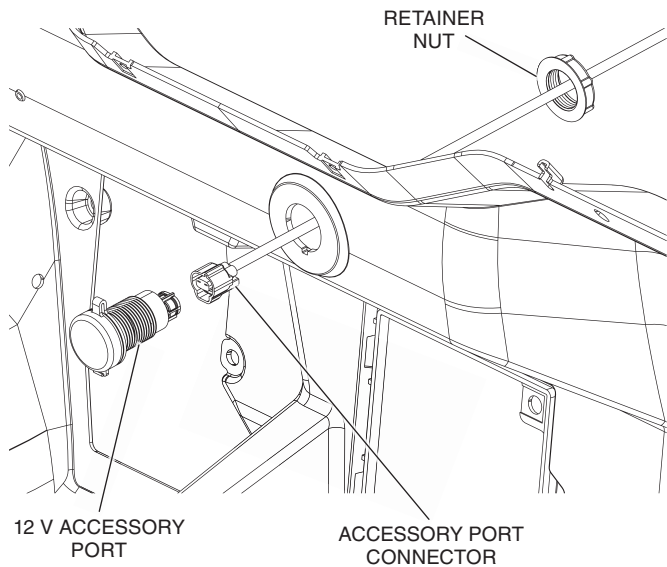
23. Secure the MRB3 controller to the dash kit with two (2) of the supplied #4-20 screws.



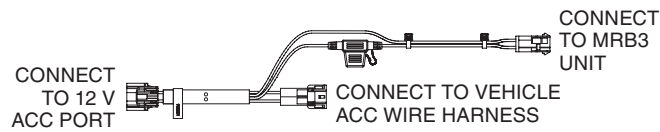
24. Route the MRB3 Controller cable to the passenger side of the under-hood compartment as shown. You will plug this cable connector into the MRB3 Black Box later in Step 34.



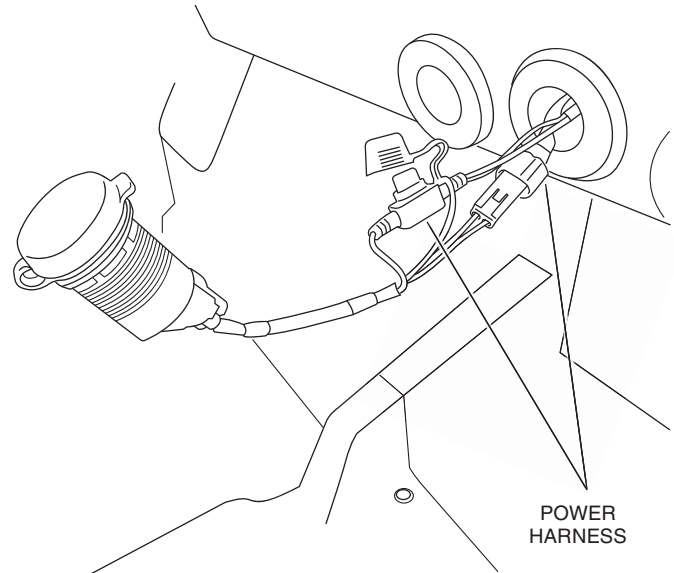
25. Remove the 12V accessory port from the dash by removing the threaded retaining nut from behind the dash accessed through the hood. From the vehicle cabin, disconnect the connector from the 12V accessory port.



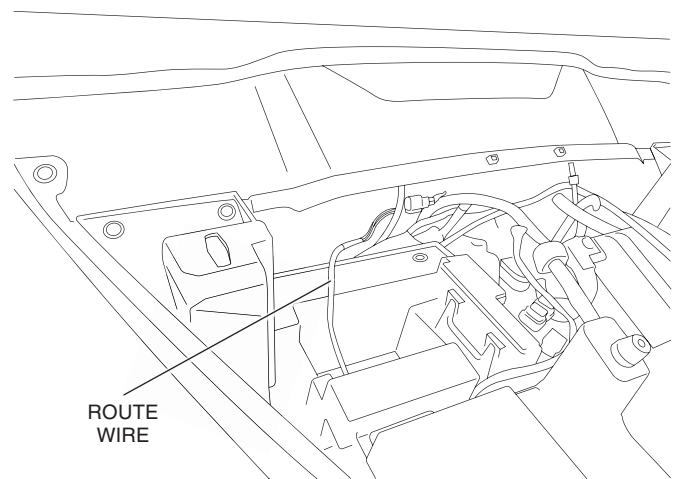
26. Connect 12V accessory port to the MRB3 Power Harness. Connect the other end to the 12V accessory port. You will connect the remaining Power Harness connector to the MRB3 Black Box Unit later in Step 34.



27. Uncap the fuse holder from MRB3 Power Harness and run the remaining end of the harness through the dash and retaining ring into the under-hood compartment.

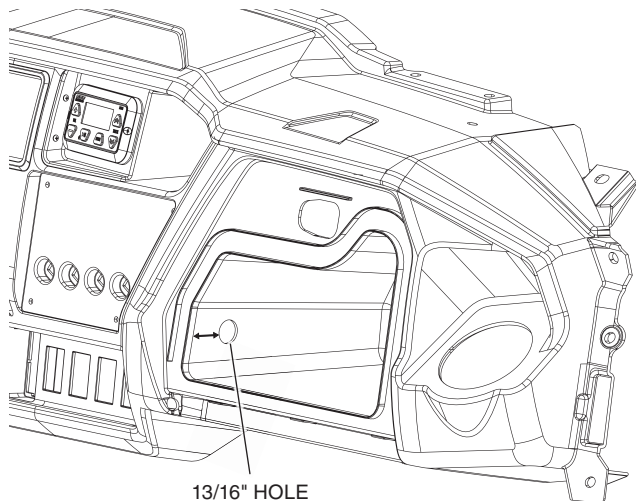


28. Reinstall the 12V accessory port onto the dash and thread the threaded retainer removed in Step 24. Route the power harness wire to the open space behind the fuse/relay box.

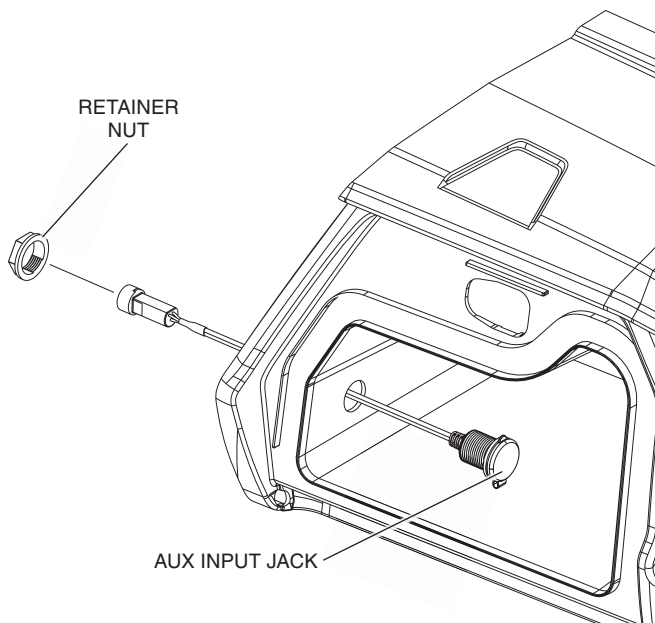


29. Behind the glove box door, drill a 13/16" hole in the center of the flat space on the left side inner wall. Center approximately 2" from front as shown.

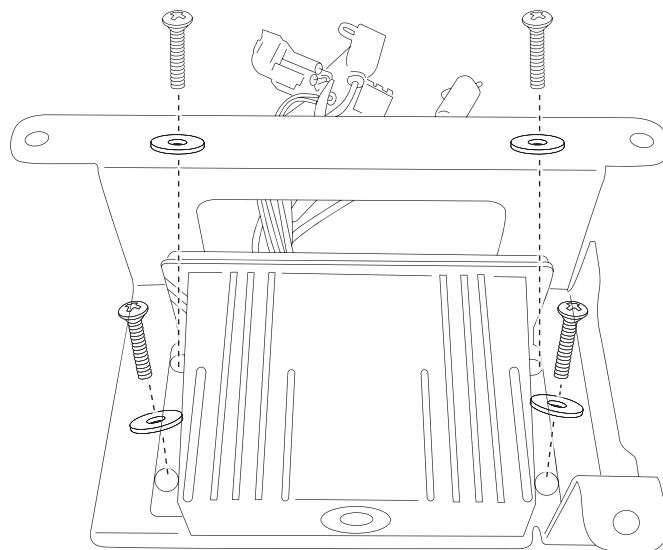
⚠ WARNING: Make sure to check the area behind the pocket before drilling to ensure damage to other components does not occur.



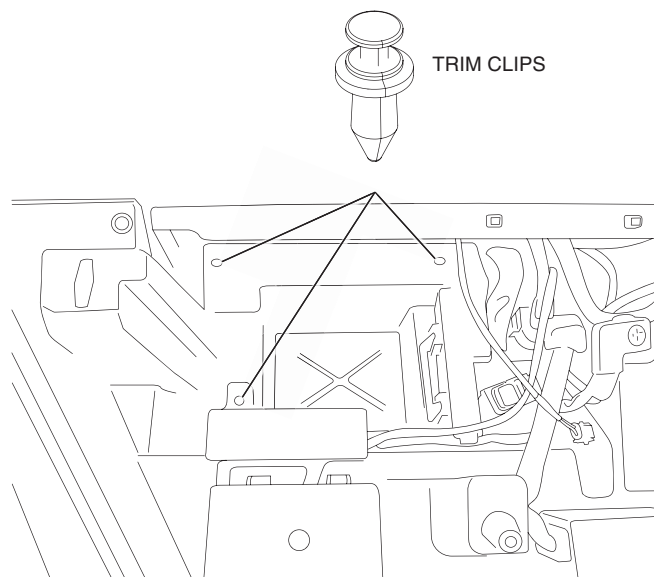
30. Remove the retaining nut from the Aux Input Jack. Feed the wire and the Aux Input Jack through the previously drilled hole as shown. Reach through the hood compartment opening to secure the Aux Input Jack in the dash using the previously removed nut. You will connect the Aux Input Jack later in Step 35.



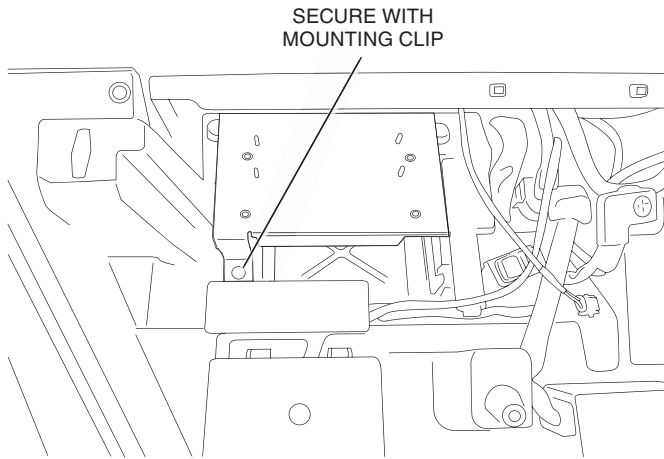
31. Attach the MRB3 brain to the underside of the Fuse Box/Audio bracket using the four (4) M4 screws and washers. Tighten screws to 2 Nm.



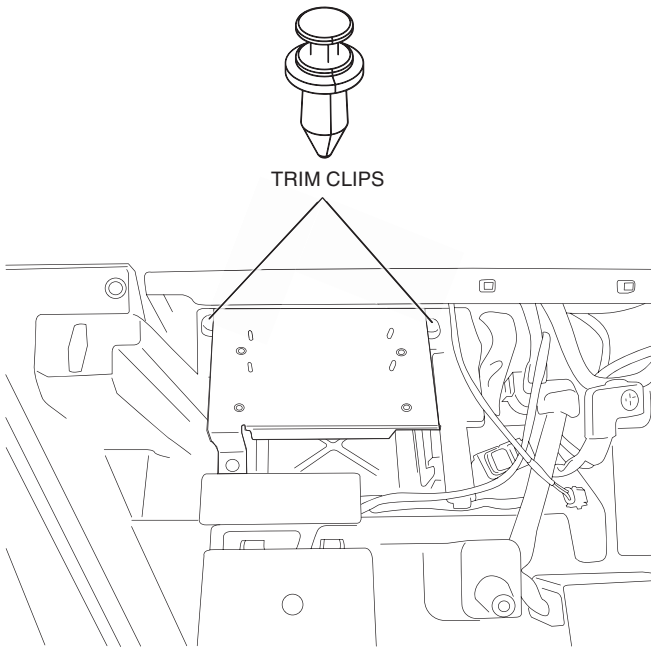
32. Remove the three (3) trim clips from the back side of the factory relay/fuse box cover and closest to the inner dash as shown.



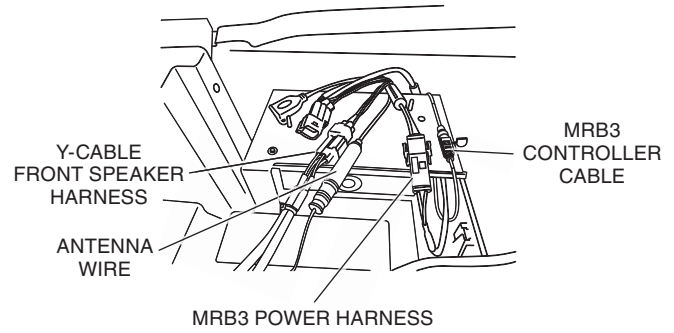
33. Slide the Fuse Box/Audio Bracket mounting plate under the relay fuse box cover and replace the trim clip.



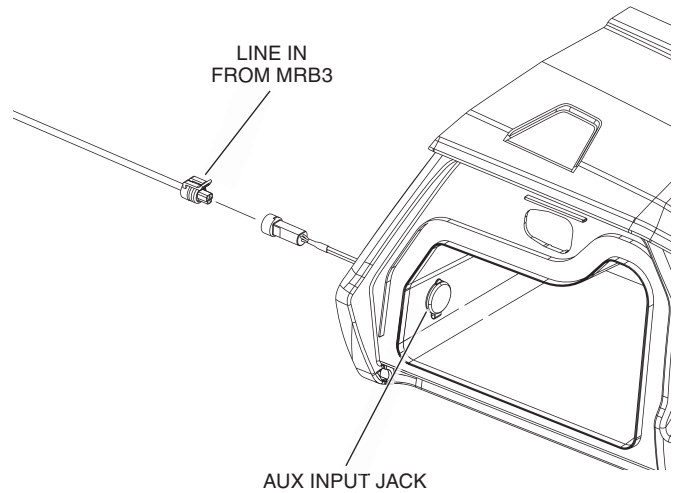
34. Use the remaining trim clips supplied with your mounting plate to secure the two rear mounting points.



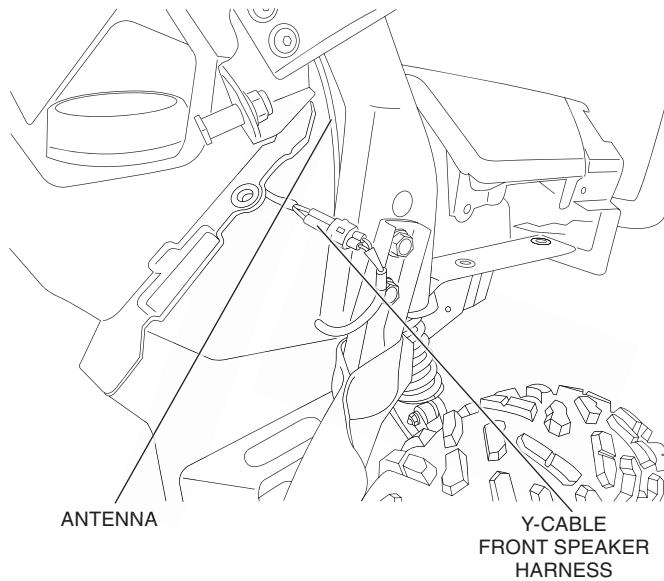
35. Connect the previously installed MRB3 Power Harness Connector, Controller Cable, Y-Cable Front Speaker Harness, and the Antenna Wire to MRB3 Black Box (Item 3).



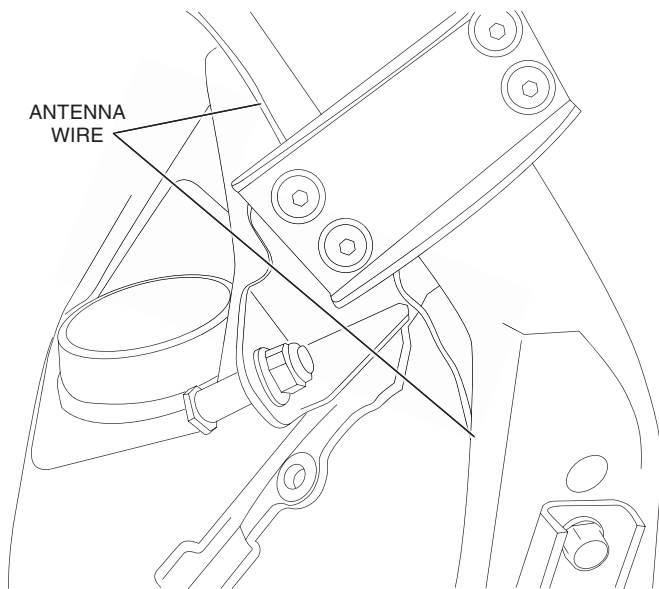
36. Locate the Line In wire on the MRB3 Black Box. Route the Line In wire through the hood compartment towards the dash. Plug the Line In connector to the Aux Input Jack that was previously installed as shown.



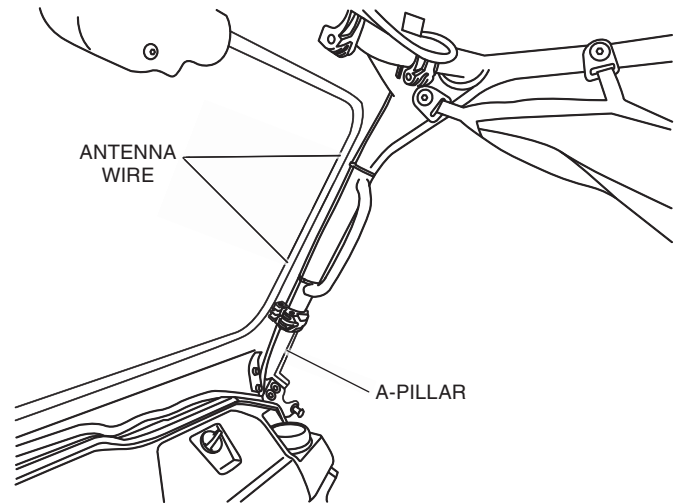
37. Route the passenger leg of the Front Y-Cable Speaker Harness and the Antenna Wire to the passenger side fender cavity. Plug the Front Y-Cable Speaker Harness into the passenger side speaker.



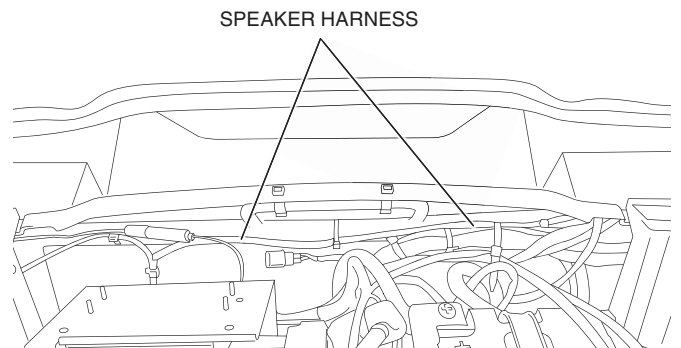
38. Route Antenna Wire behind the door latch, between the dash and the A pillar.



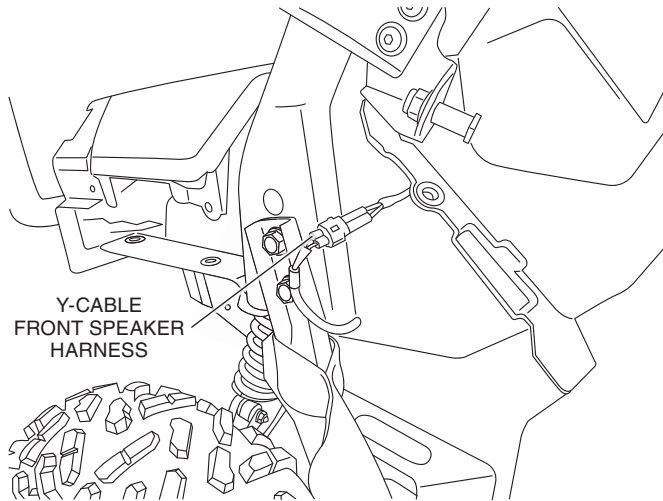
39. Route the antenna cable along the A pillar using zip ties to secure the wire. You may fold the wire back along itself if length exceeds the A pillar.



40. Route driver's side of the speaker harness to the driver's side fender cavity by running it along the cross bar located at the rear of the under-hood compartment.



41. Continue to route the driver side leg of the Front Y-Cable Speaker Harness to the driver side fender cavity. Plug the Front Y-Cable Speaker Harness into the driver side speaker.



42. Double check to make sure all connections are secure. Re-assemble the remaining parts of the vehicle in the reverse order of removal.